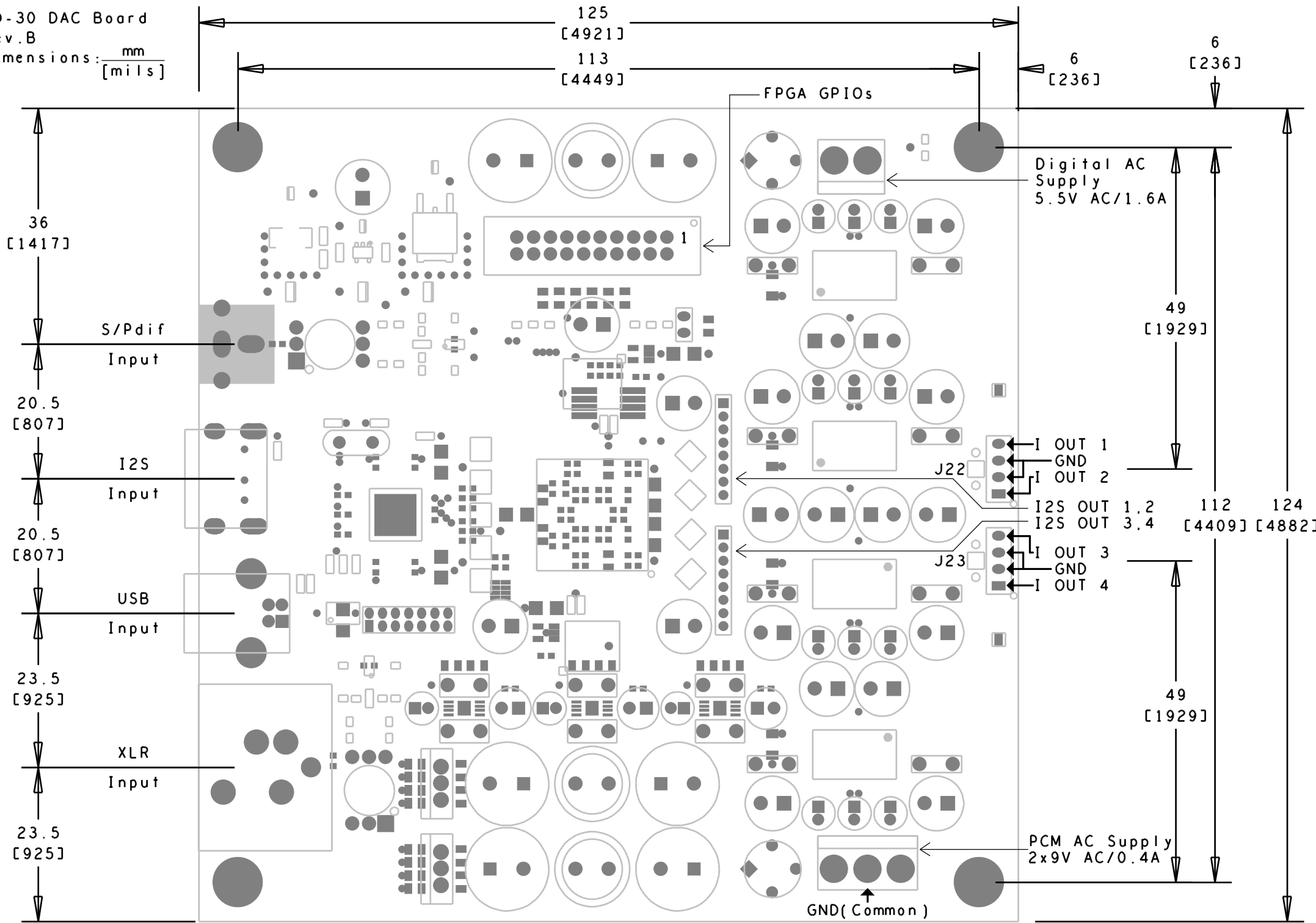


RD-30 DAC Board
 Rev.B
 Dimensions: $\frac{\text{mm}}{\text{[mils]}}$



36
[1417]

125
[4921]
113
[4449]

6
[236]

6
[236]

Digital AC Supply
5.5V AC/1.6A

S/Pdif
Input

20.5
[807]

I2S
Input

20.5
[807]

USB
Input

23.5
[925]

XLR
Input

23.5
[925]

49
[1929]

I OUT 1
GND
I OUT 2

J22

I2S OUT 1.2
I2S OUT 3.4
112
124
[4409] [4882]

I OUT 3
GND
I OUT 4

J23

49
[1929]

PCM AC Supply
2x9V AC/0.4A

GND (Common)